

2	1	
Rev	Description	Date
0	New Drawing	2022/02/17

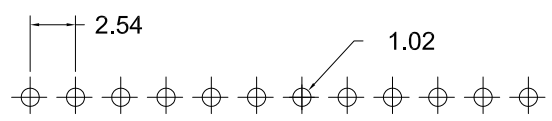
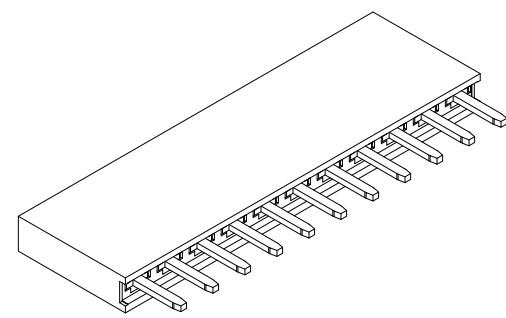
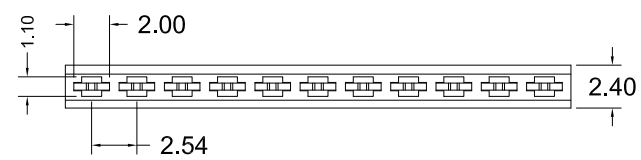
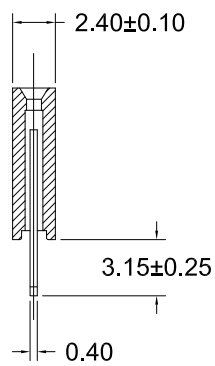
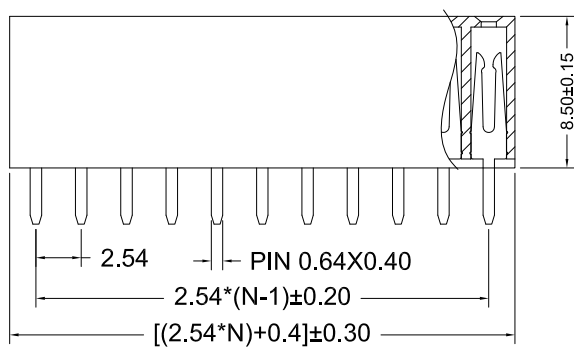
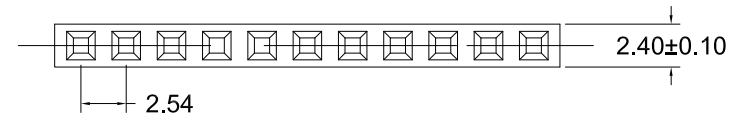
### SPECIFICATIONS

**Material:**

Insulator: Glass filled PBT (UL94V-0),  
 Black, Contacts: Brass  
 Plating: Au or Sn over 30μ" Ni

**Electrical Characteristics:**

Contact Resistance: 20mΩ Max.  
 Insulator Resistance: 1000MΩ Min.  
 Withstanding Voltage: AC 500V  
 Currernt Rating: 3 AMP  
 Operating Temperature range: -40°C to +105°C  
 Resistance to Soldering Heat: 205°C ±5°C  
 Spacing: 2.54  
 Salt sprar test: 24H



PCB LAYOUT

<b>RONMEE</b>		榮國工業股份有限公司 Ronmee Industrial Corporation		
		2.54 Single Base Female Header 2.54 單排排母		
Tolerance	Projection			
Angle ± 5°		Drawn:	Joey.Lin	P/N: FH2.54-XXY/1GF-8.5ST
x. ±0.50		Checked:	C.L.Jang	File No:
x. x ±0.30		Approved:	R.X.Lin	Unit: mm. Sheet: 1/1. Size: A4.
x. x. x ±0.10				
x° ±1°				

D  
C  
B  
A

D  
C  
B  
A

4

3

2

1